

## Sewage Water Treatment System

**E**COMar is able to treat grey and blackwater in compliance with international standards and to render it dischargeable directly into the sea, without solid residues.

The chemical-physical reactions inside disinfect the water and reduce the sediment dimensions so that the water becomes clear and odorless and can be discharged directly overboard. At the end of every cycle takes place an automatic washing of the tank with clear sea water. ECOMar is built with a central body made in strong polypropylene mounted on a steel chassis. Stainless steel treatment tank is available on request. The LCD electronic control panel with microprocessor (electro-mechanical control panel for models 50 and 120) manages all the functions of the system, automatically. Very low electric power consumption.

The system can also work in emergency mode.



**ECOMar 120**  
-inox-



**ECOMar 50**  
-inox-



**ECOMar 24**  
-inox-



**ECOMar 16**  
-inox- / -PP-



**ECOMar 8**  
-PP-



**ECOMar 6**  
-PP-

### MAIN ADVANTAGES:

- POLLUTION FREE: the disinfectant liquid does not release poisonous substances
- NO RESIDUALS ON BOARD: consequently the installation of a sludge tank is not required
- EASY TO USE: totally automatic with possibility to operate it manually in emergency
- COMPACT: designed to work in small engine rooms
- VERSATILE: available at 24V DC and 230/400V AC  
Other voltages and frequencies available.

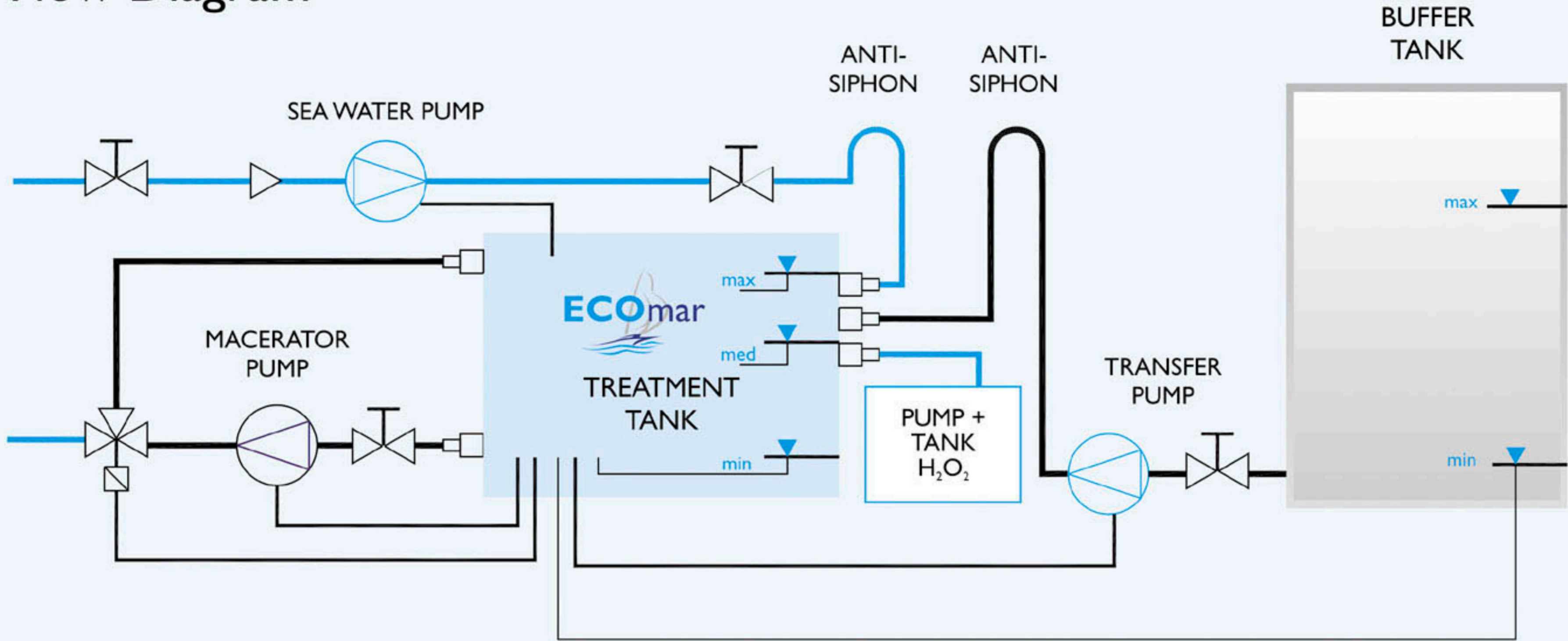
### Technical Features

	<b>ECOMar 120</b>	<b>ECOMar 50</b>	<b>ECOMar 24</b>	<b>ECOMar 16</b>	<b>ECOMar 8</b>	<b>ECOMar 6</b>
Treatment capacity (litres per day)	50,000	21,000	10,000	6,000	4,000	2,300
Treatment capacity (gallons per day)	13,175	5,548	2,642	1,585	1,056	607
Work cycles per hour (approx.)	4	4	4	4	4	4
Power supply	230 / 400V AC	230 / 400V AC	230 / 400V AC	230 / 400V AC	24V DC / 230 / 400V AC	
Installed power (kW)	5.5	1.5	1.1 / 1.5	1.1 / 1.5	0.35 / 0.55	0.35 / 0.55
Max absorption (A)			7 A (230V AC)	7 A (230V AC)	18 A (24V DC)	18 A (24V DC)
	12 A (400V AC)	4.5 A (400V AC)	4.5 A (400V AC)	4.5 A (400V AC)	4 A (230V DC)	3.5 A (230V DC)
Total capacity (litres/gallons)	1,358 / 357.8	483 / 127.6	248 / 65.5	160 / 42.2	127 / 33.5	81 / 21.4
Waste water capacity (litres/gallons)	604 / 159	241 / 63.6	108 / 28.5	67 / 17.7	53 / 14	34 / 9
Sea water capacity (litres/gallons)	398 / 104.8	124 / 32.8	72 / 19	48 / 12.7	38 / 10	24 / 6.3
Treated water per cycle (litres/gallons)	1,002 / 264	365 / 96.4	180 / 47.5	115 / 30.3	91 / 24	58 / 15.3

### Dimensions and weight

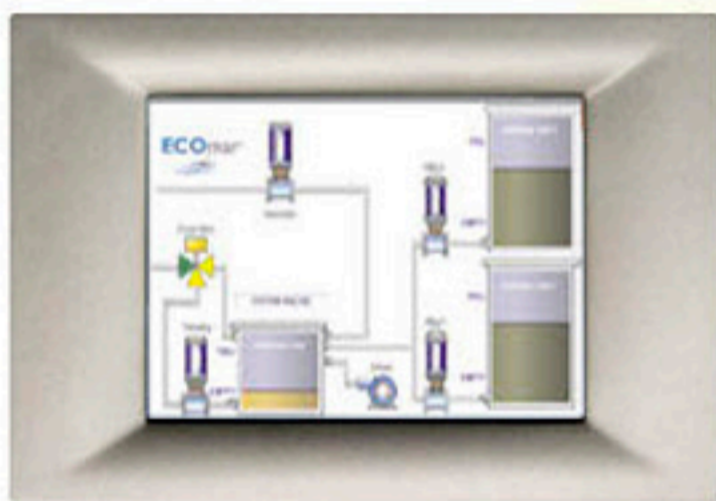
Central unit dimensions (mm)	PP:	1390 x 1100 x 1350	1230 x 820 x 810	970 x 720 x 720	770 x 590 x 710	730 x 510 x 690	500 x 500 x 680
	Inox:	1390 x 1100 x 1350	1230 x 820 x 880	930 x 670 x 735	780 x 585 x 765		
Tank dimensions (mm)		1300 x 850 x 1200	1150 x 600 x 700	850 x 470 x 620	710 x 390 x 650	660 x 320 x 600	450 x 300 x 600
Central unit weight (kg/lbs)	PP:				70 / 154	40 / 88	30 / 66
Central unit weight (kg/lbs)	Inox:	450 / 990	190 / 418	112 / 246	100 / 220		

## Flow Diagram

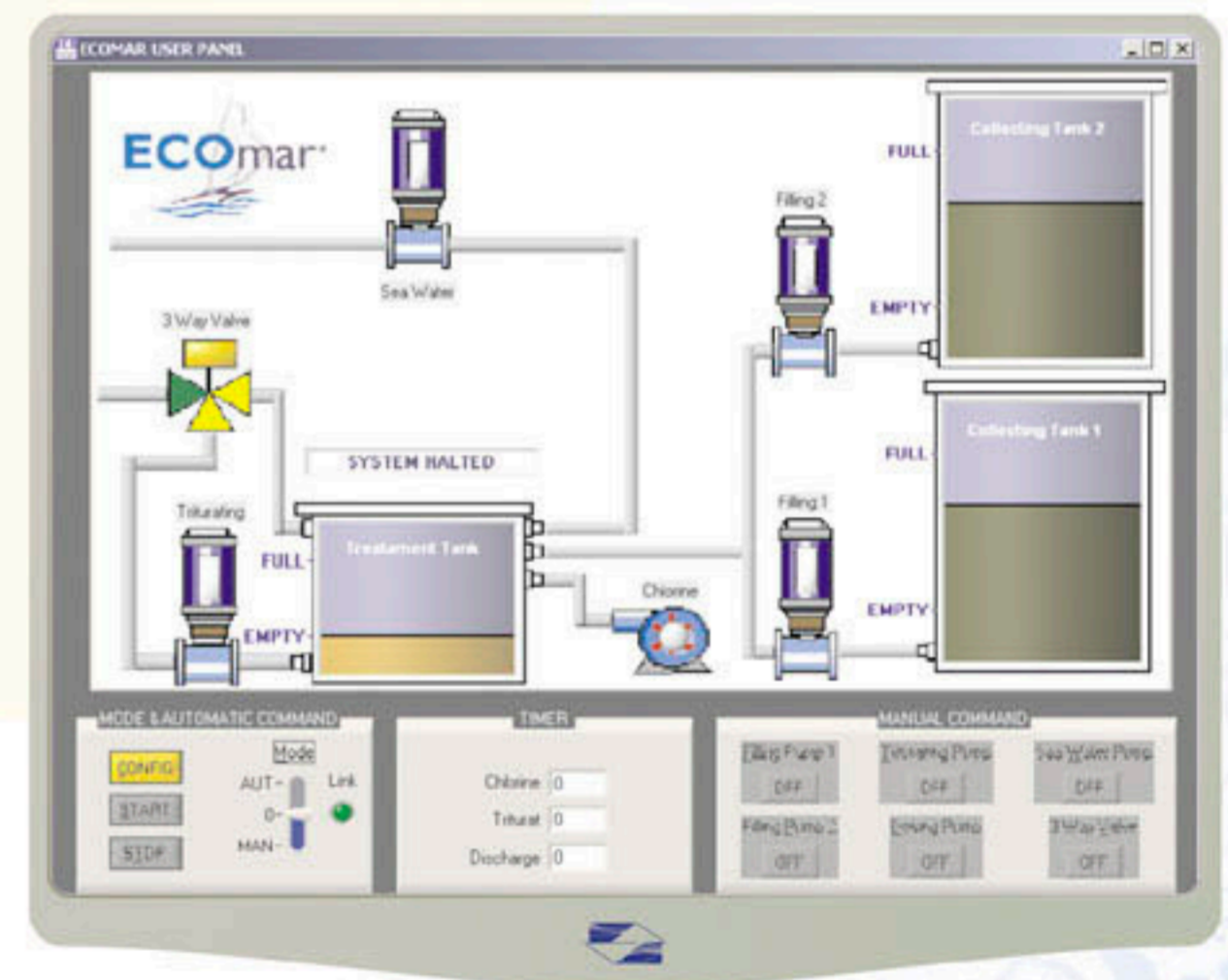


## OPTIONALS

ECOmar is also available with LCD touch-screen remote control, from on board PC, by GSM or SAT link, for operation, diagnosis, setting and maintenance



3.5" LCD touch-screen display -optional-



SEA WATER AND TRANSFER PUMPS



DISINFECTANT SOLUTION DOSING PUMP



SYSTEM TYPE APPROVED BY LLOYD'S REGISTER IN COMPLIANCE WITH IMO/MARPOL no. MEPC. 159 (55) AND EUROPEAN DIRECTIVES (MED) 96/98/EC AND SUBSEQUENT AMENDMENTS.

ACCEPTED BY THE U.S. COAST GUARD AND THE INDIAN COAST GUARD.



**TECNICOMAR**  
DISSALATORI - WATERMAKERS