

Reverse Osmosis Watermakers

LIGHTWEIGHT FRAME **NEW!**

ESSENTIAL

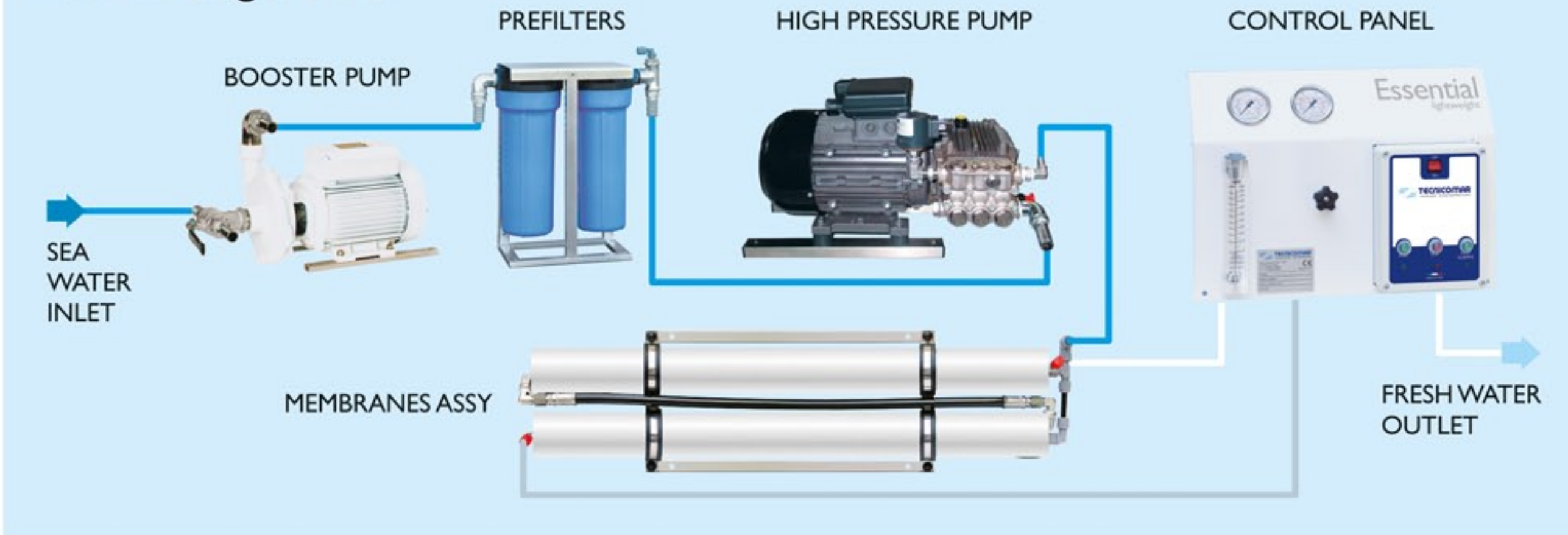
The Essential is a watermaker with production of 100 or 160 litres per hour, ideal for small boats. It is suitable for everyone who can do without electronic and remote controls and just wants a small and reliable system producing safe water. An automatic membrane flushing system is available as an option. The watermaker is mounted in a powder coated solid light alloy frame (compact version) or ready for modular installation in tight spaces (Essential Slim configuration). The compact version allows to install the membrane pack separately. Available for different electrical voltages and frequencies, on demand.



ESSENTIAL 400



Slim Configuration



Accessories

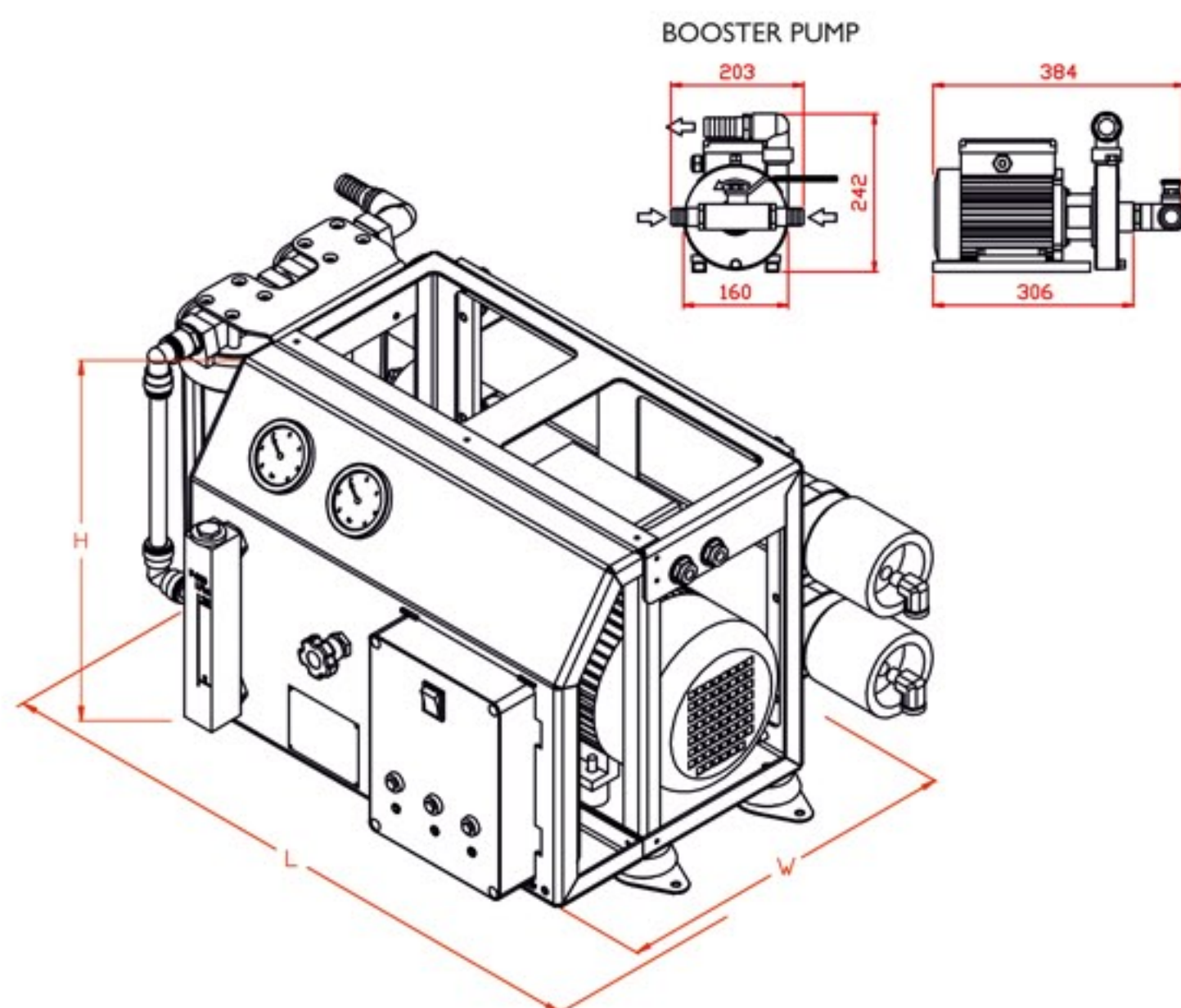


TECHNICAL DATA

Model	Production per hour (litres / gallons)	Production per day (litres / gallons)	Voltage (Volt) / Frequency (Hz) Installed Power (kW)	Max Dimensions -L x W x H- (mm)	Weight (Kg)
ESSENTIAL 400	100 / 26.6	2400 / 639	230 V AC - 50 Hz* - 1.8 kW	680 x 406 x 260	43
ESSENTIAL 1000	160 / 42	3840 / 1014	230 V AC - 50 Hz* - 1.8 kW	1180 x 406 x 260	49

* single phase - other voltages and frequencies available on demand

MODULAR CONFIGURATION



SLIM CONFIGURATION

